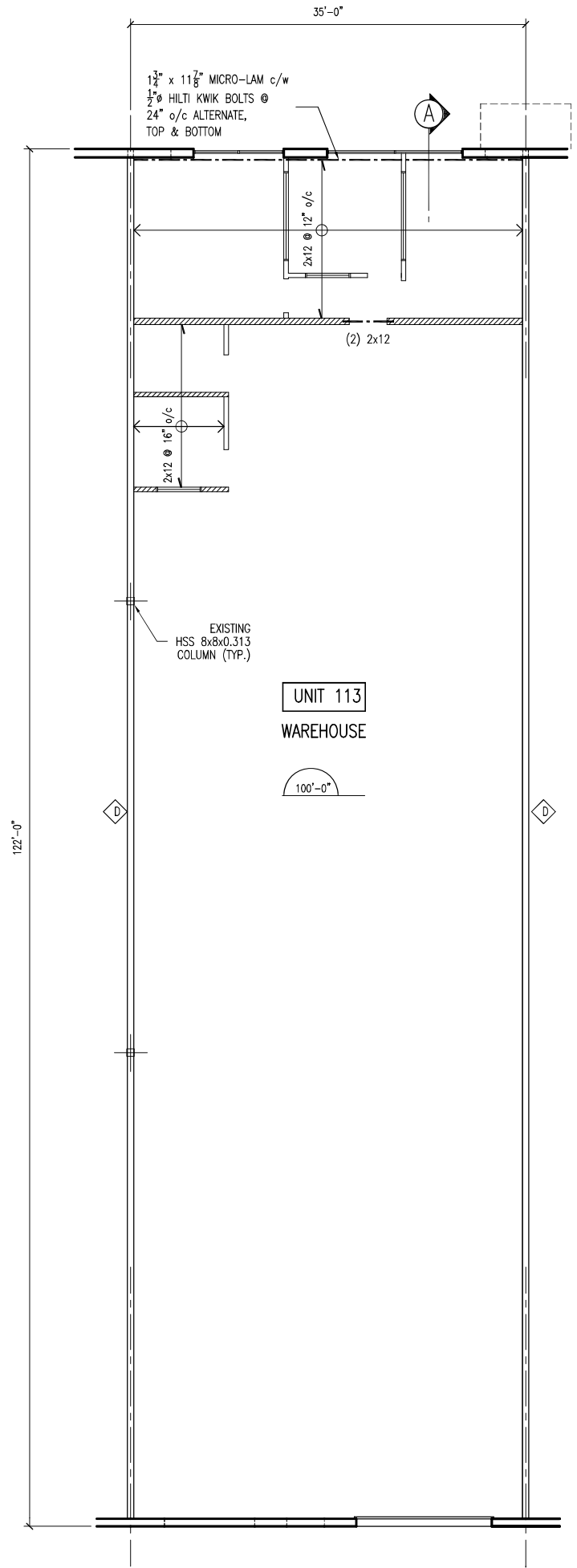


GROUND FLOOR PLAN

SCALE: 1/8" = 1'-0"



GROUND FLOOR PLAN

(SHOWING FUTURE MEZZANINE FRAMING PLAN)

SCALE: 1/8" = 1'-0"