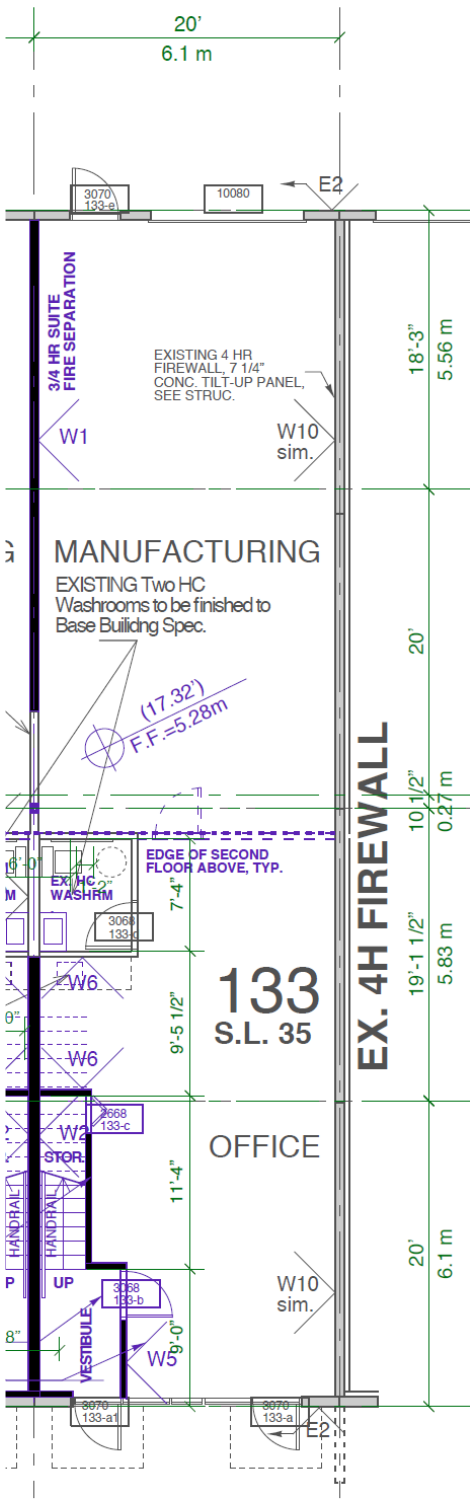
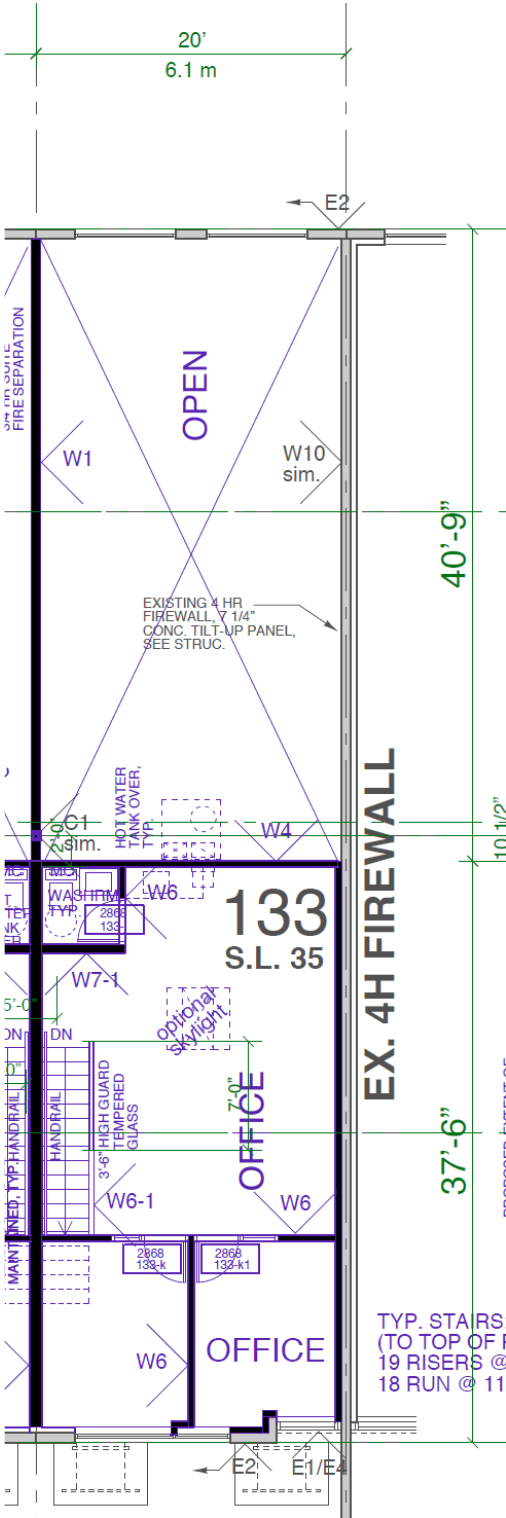


#133 – 5589 Byrne Road, Burnaby



Main Floor



Second Floor